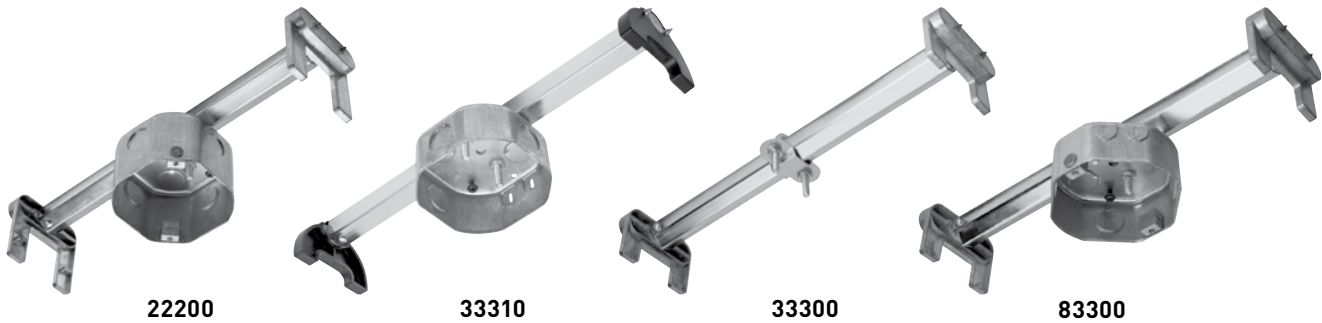
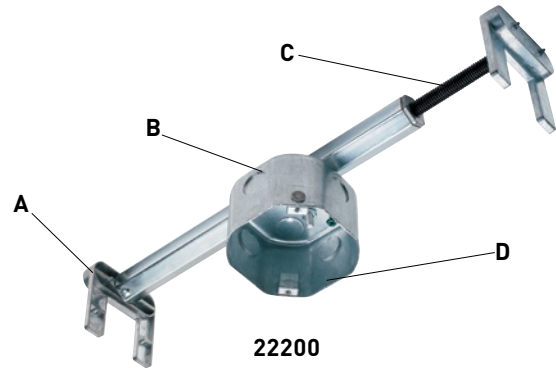


REIKER CEILING FAN & FIXTURE SUPPORT PRODUCTS

Retrofit Braces

22200 Retrofit Braces

- A. Cast zinc self-leveling feet** ease installation.
 - B. 25 cu. in. metal box** included.
 - C. Heavy-duty hexagon brace expands from 16"-24"**, perfect for existing ceiling applications.
 - D. Rotating dual supports** accept both fan (#10-32 screws) and fixture (#8-32 screws) mounting.
- Supports fans up to 70 lbs. and fixtures up to 150 lbs.**



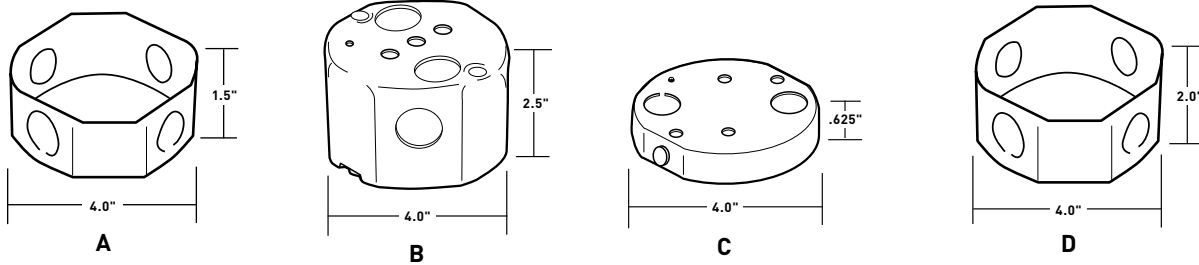
Features

- For spans from 16 to 24 inches.
- UL listed for fan and fixture support.
- Self-leveling feet.
- Maximum weight rating shown for 16" spans.
- Ground screw pre-installed.
- Boxes include top knockouts.

CATALOG NUMBER	DESCRIPTION	VOLUME CU. IN.	BOX DEPTH	QUANTITY PER CARTON	UL LISTED MAX. WEIGHT RATING AT 16" SPAN	
					FAN	FIXTURE
RETROFIT BRACES						
22200	Fan Brace – premium grade with deep box, rotating dual support for 16-24" spans	25 cu. in.	2.5"	12	70 lbs.	150 lbs.
33310	Fan Brace – standard grade with standard box, single #10 support for 16-24" spans	16 cu. in.	1.5"	12	70 lbs.	150 lbs.
33300	Fan Brace Only – use with standard octagon electrical box (33303), single #10 support for 16-24" spans	N/A	N/A	12	70 lbs.	150 lbs.
83300	Fan Brace – premium grade with standard box, rotating dual support for 16-24" spans	16 cu. in.	1.5"	12	70 lbs.	150 lbs.

REIKER CEILING FAN & FIXTURE SUPPORT PRODUCTS

Specifications



Retrofit Braces

MATERIALS OF CONSTRUCTION	
Hex Tube	16 Gauge Extruded Steel with Chrome Plating
Square Tube	16 Gauge Extruded Steel with Chrome Plating
Die Cast Feet	Die Cast Zinc
Plastic Feet	Injection Molded Plastic

COMPLIANCES
Compliant with UL514A
Compliant with NEC Section 422.18 and Section 314.27
Extension rating from 16 to 24 inches
Compliant with NEMA Standard OS1

CATALOG NUMBER	DESCRIPTION	BOX INCLUDED			WEIGHT RATING (LBS.)			
					16" SPANS		>16-24" SPANS	
		TYPE	DEPTH	CU. IN.	FAN	FIXTURE	FAN	FIXTURE
22200	Premium Brace with deep box	B	2.5	25	70	150	35	50
33300	Premium Brace only		None		70	150	35	50
33310	Standard Brace with standard box	A	1.5	16	70	150	35	50
83300	Premium Brace with standard box	A	1.5	16	70	150	35	50

New Construction Slides

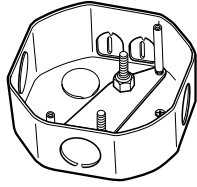
MATERIALS OF CONSTRUCTION	
Slide Parts	16 Gauge Stamped Steel
Inner Slide	14 Gauge Stamped Steel

COMPLIANCES
Compliant with UL514A
Compliant with NEC Section 422.18 and Section 314.27
Extension rating from 16 to 24 inches
Compliant with NEMA Standard OS1

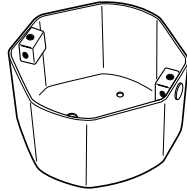
CATALOG NUMBER	DESCRIPTION	BOX INCLUDED			WEIGHT RATING (LBS.)			
					16" SPANS		>16-24" SPANS	
		TYPE	DEPTH	CU. IN.	FAN	FIXTURE	FAN	FIXTURE
55501	Heavy-Duty Slide with standard box	A	1.5	16	70	110	35	50
65501	Heavy-Duty Slide with standard box	A	1.5	16	70	110	35	50
65521	Heavy-Duty Slide with deep box	D	2.0	21	70	110	35	50
77702	Heavy-Duty Slide with shallow box	C	0.625	8	70	110	35	50
77708	Heavy-Duty Slide with shallow box	C	0.625	8	70	110	35	50
85502	Heavy-Duty Slide with deep box	D	2.0	21	70	110	35	50

REIKER CEILING FAN & FIXTURE SUPPORT PRODUCTS

Specifications



Single #10 Support



Rotating Dual Support

Side, Direct, Shallow & Specialty Boxes

MATERIALS OF CONSTRUCTION	
Box Steel	16 Gauge Stamped Steel

COMPLIANCES
Compliant with UL514A
Compliant with NEC Sections 422.18 and 314.27
Compliant with NEMA Standard OS1

CATALOG NUMBER	DESCRIPTION	BOX CAPACITY	WEIGHT RATING
33303	Electrical box only	16 cu. in.	N/A
44400	Direct Mount with rotating dual support	25 cu. in.	Up to 70# Fan/150# Fixture
55015	Side Mount with rotating dual support	16 cu. in.	Up to 70# Fan/150# Fixture
55020 55025	Side Mount with rotating dual support	21 cu. in.	Up to 70# Fan/150# Fixture
55528	Direct Mount with rotating dual support	21 cu. in.	Up to 70# Fan/150# Fixture
77700	Direct Mount shallow box with rotating dual support	8 cu. in.	Up to 70# Fan/150# Fixture
77705	Direct Mount shallow box with rotating dual support	6.5 cu. in.	Up to 70# Fan/150# Fixture
77706	Direct Mount with u-bracket for firewalls with rotating dual support	8 cu. in.	Up to 70# Fan/150# Fixture

CATALOG NUMBER	WIRE CLAMP TYPE
15010	Metal
15040	Plastic
22200	Plastic
33303	Metal
33310	Plastic
44400	Plastic
55015	Metal
55020	Plastic
55025	Plastic
55501	Metal
55528	Plastic
65501	Metal
65521	Metal
77700	Plastic
77702	Plastic
77705	Plastic
77706	Plastic
83300	Plastic